

# Talema Group / MD Series connection schematics

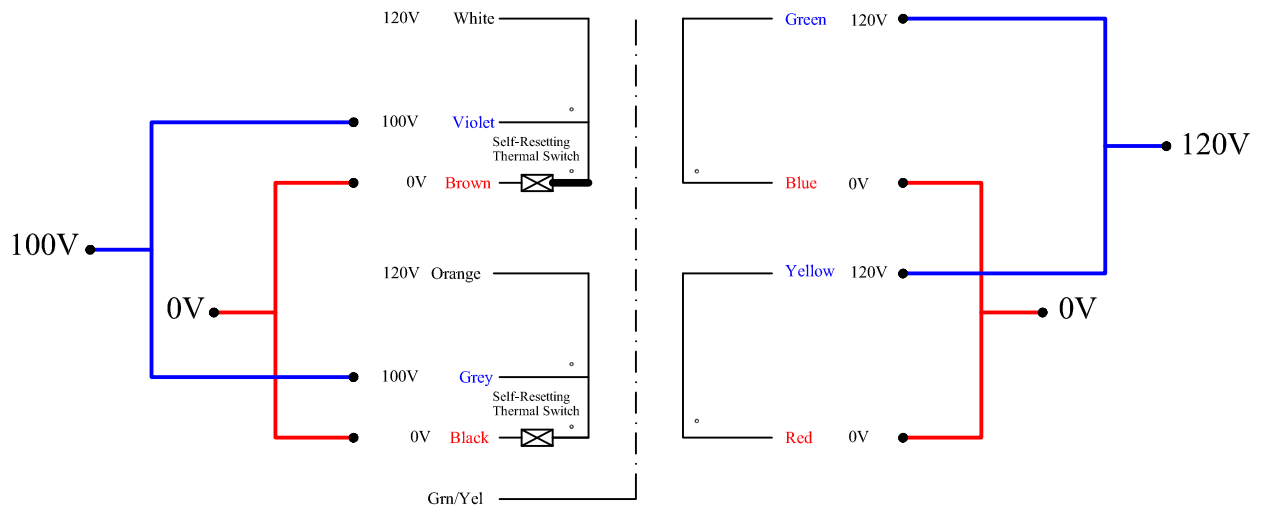


## 100V Input

1. Connection schematic for Input = 100V and Output = 120V

Input - Parallel connection

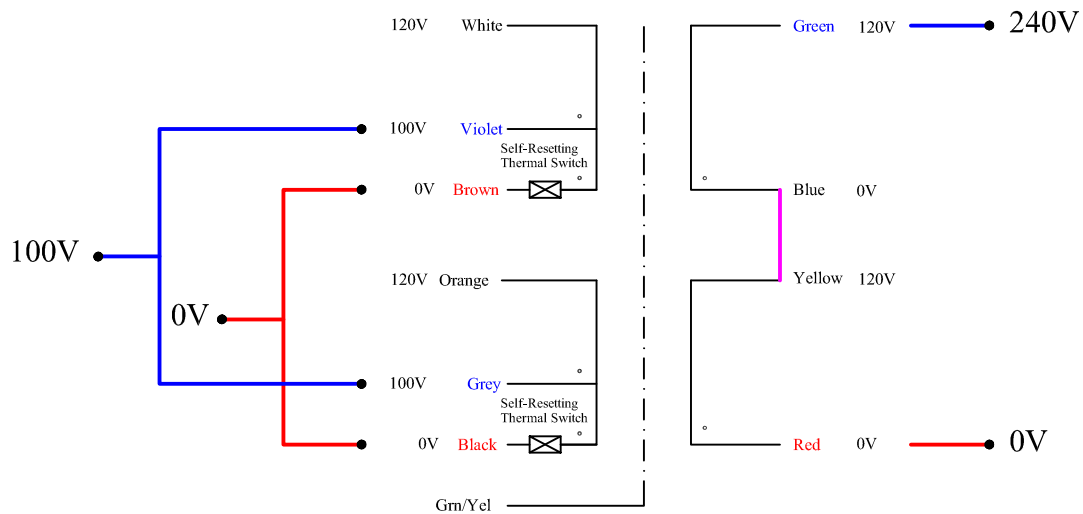
Output - Parallel connection



2. Connection schematic for Input = 100V and Output = 240V

Input - Parallel connection

Output - Series connection

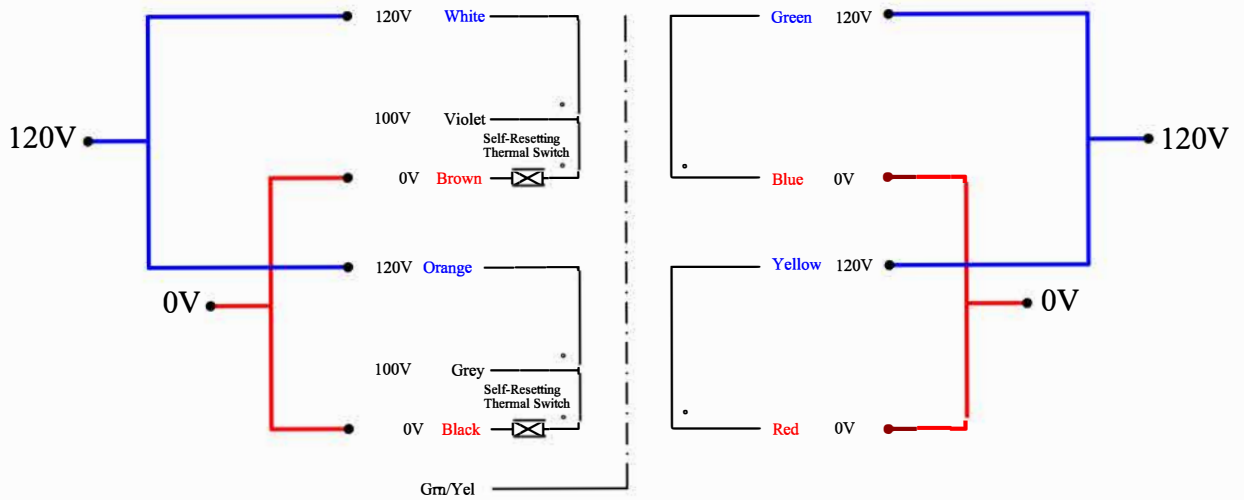


## 120V Input

### 3. Connection schematic for Input = 120V and Output = 120V

Input - Parallel connection

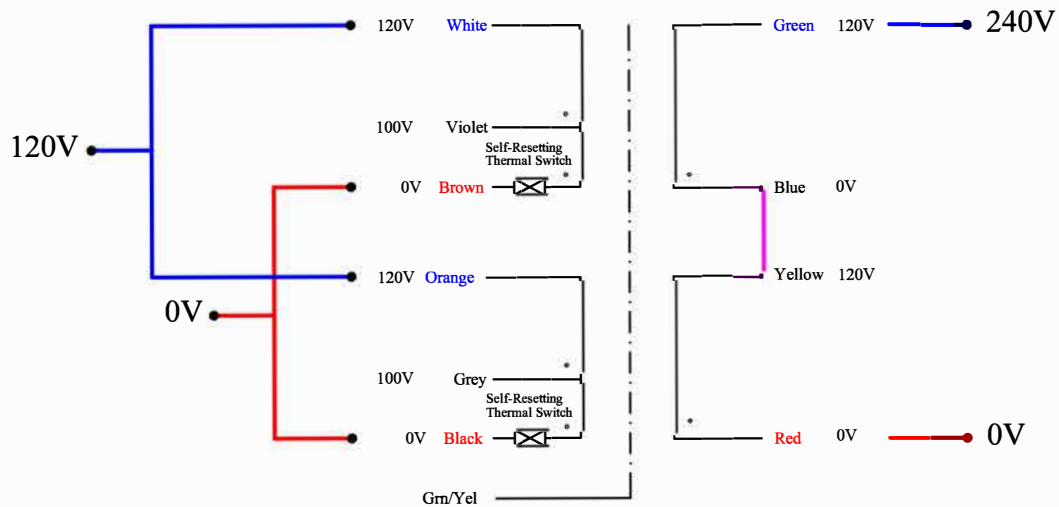
Output - Parallel connection



### 4. Connection schematic for Input = 120V and Output = 240V

Input - Parallel connection

Output - Series connection

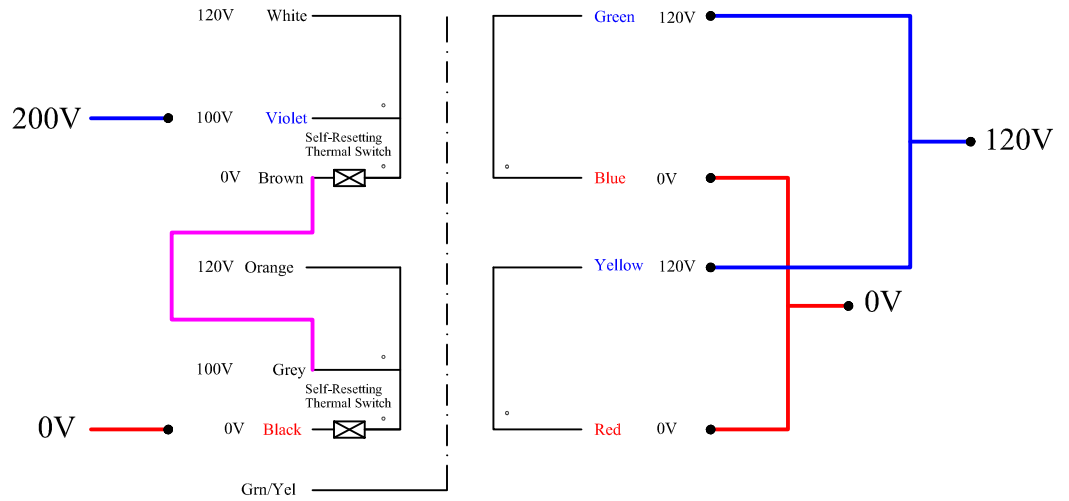


## 200V Input

### 5. Connection schematic for Input = 200V and Output = 120V

Input - Series connection

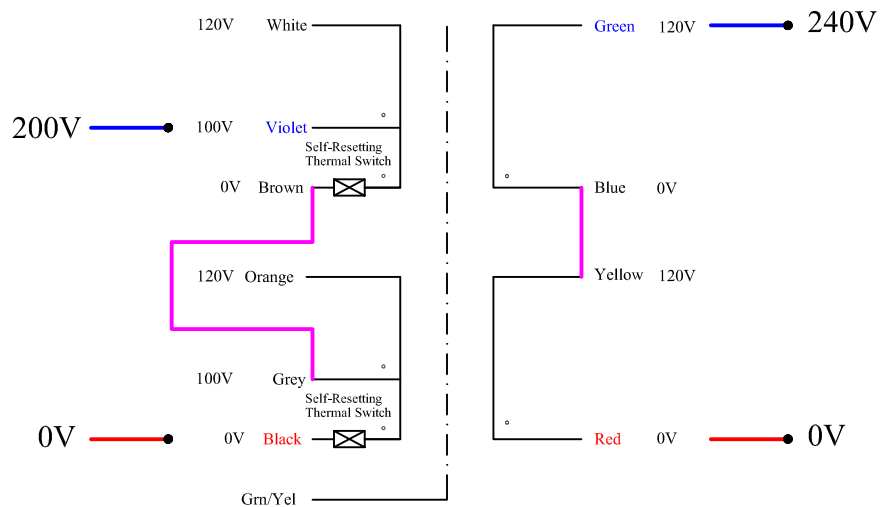
Output - Parallel connection



### 6. Connection schematic for Input = 200V and Output = 240V

Input - Series connection

Output - Series connection

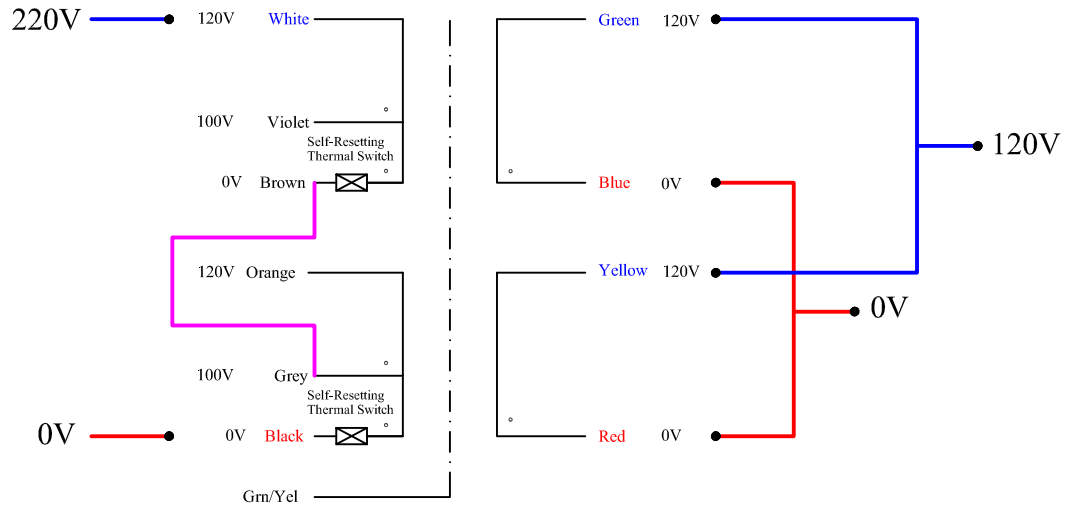


## 220V Input

### 7. Connection schematic for Input = 220V and Output = 120V

Input - Series connection

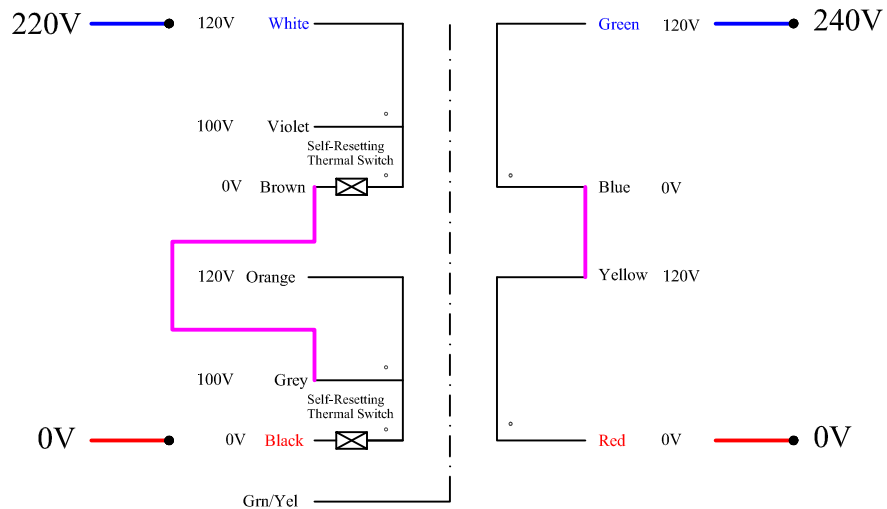
Output - Parallel connection



### 8. Connection schematic for Input = 220V and Output = 240V

Input - Series connection

Output - Series connection

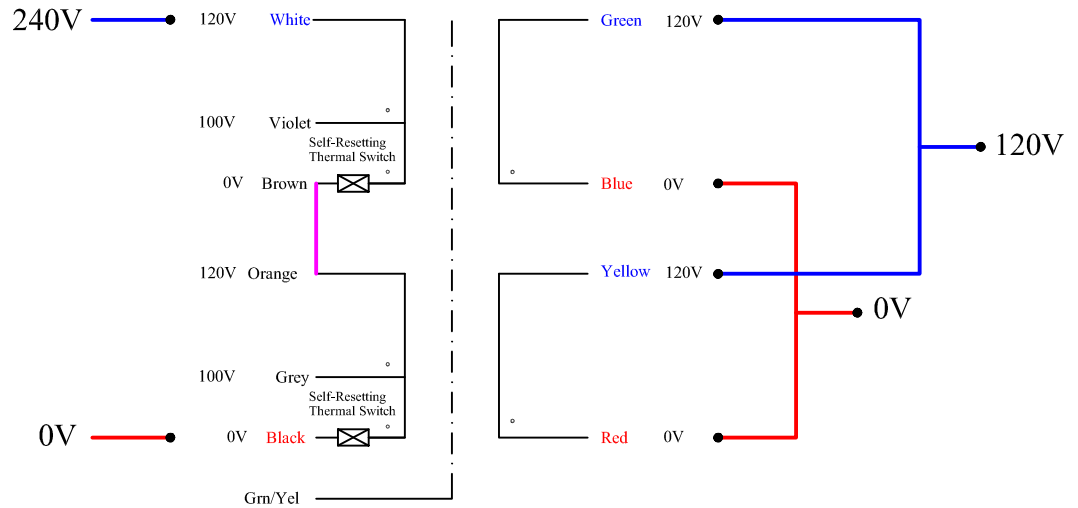


## 240V Input

9. Connection schematic for Input = 240V and Output = 120V

Input - Series connection

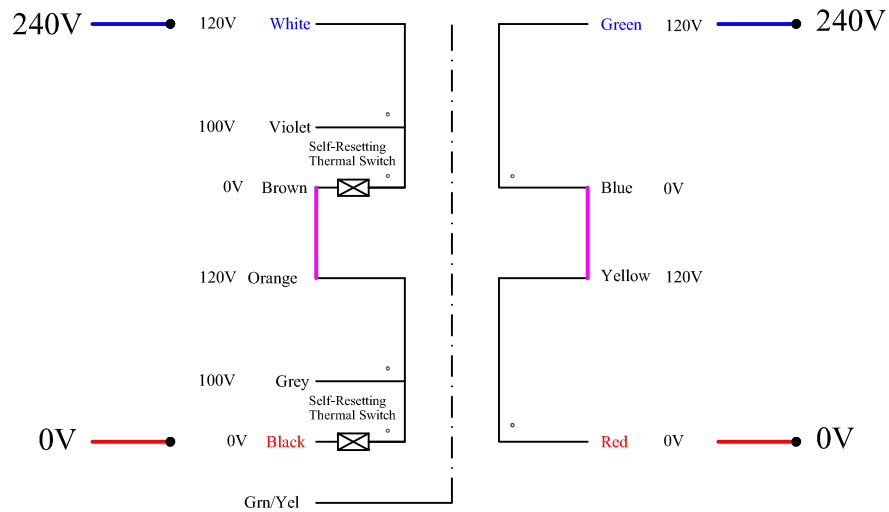
Output - Parallel connection



10. Connection schematic for Input = 240V and Output = 240V

Input - Series connection

Output - Series connection



**Regional Locations - Design, Manufacturing, Sales & Marketing**
**Talema Group Global Offices**
**North America**
**United States  
(Sales & Marketing)**

**Talema Group, LLC**  
 PO Box 935  
 900 Innovation Drive  
 Suite 120, Rolla  
 Missouri 65402  
 Tel: +1 573-303-3675  
 E-Mail:  
 sales@talema.com  
 Web: talema.com

**Asia**
**India**

**(Design, Manufacturing, Sales & Marketing)**

**Administrative Office**

**Talema Electronic India Private Limited**  
 Door No. 221, 1st and 2nd Floor  
 KJ Plaza, Opp.to Vidya Mandir School  
 Meyanur Main Road  
 Salem - 636 004 Tamil Nadu INDIA.  
 Tel: +91 427 - 243 3100  
 Fax: +91 427 - 243 3109  
 E-Mail: talema@talemaindia.net  
 Web: talema.com

**Factory Premises**

**Talema Electronic India Private Limited**  
 No. 31 & 31, Electronic Industrial Estate  
 Suramangalam Post  
 Salem - 636 005 Tamil Nadu INDIA  
 Tel: +91 427 - 243 3000  
 E-Mail: talema@talemaindia.net  
 Web: talema.com

**Europe**
**Germany  
(Design, Sales & Marketing)**

**Talema Elektronik GmbH**  
 Sembdnerstr. 5  
 82110 Germering  
 Tel: +49 89 - 841 00 - 0  
 Fax: +49 89 - 841 00 25  
 E-Mail: info@talema.de  
 Web: talema.com

**Ireland  
(Design, Sales & Marketing)**

**Nuvotem TEO**  
 Units W & X, Gweedore Business Park  
 Derrybeg, Letterkenny, Co. Donegal  
 Tel: +353 (0) 74 95 48666  
 Fax: +353 (0) 74 95 48139  
 E-Mail: info@nuvotem.com  
 Web: talema.com

**Czech Republic  
(Design, Manufacturing, Sales & Marketing)**

**NT Magnetics s.r.o.**  
 Chebská 27  
 322 00 Plzeň  
 Tel: +420 377 - 338 351  
 Fax: +420 377 - 338 350  
 E-Mail: talema@talema.cz  
 Web: talema.com

**Locations of Talema Group Global Offices**
