

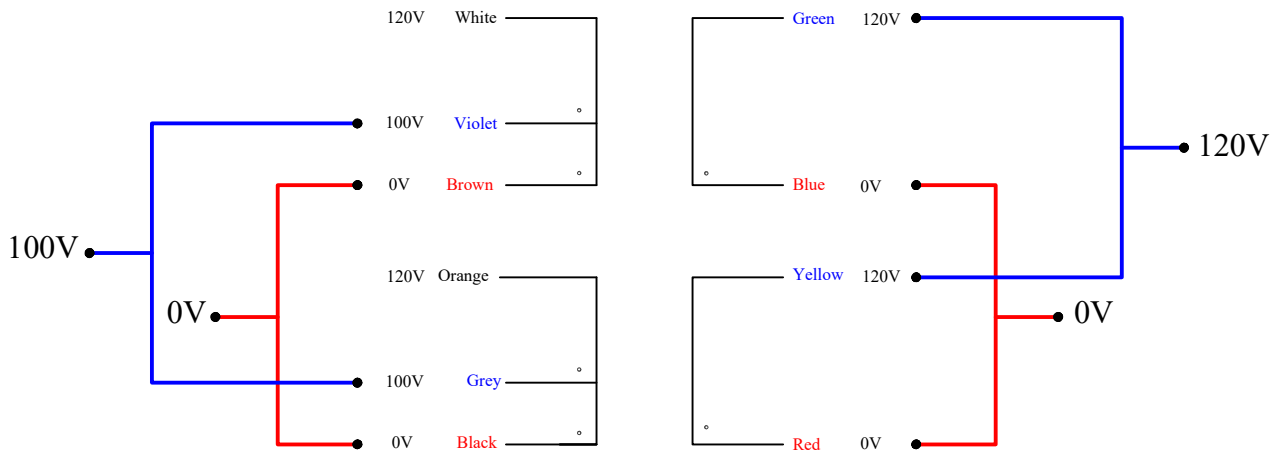
# 1500VA Sector Cap transformer connection schematics (85245ZZ-P2S2SC)



## 1. Connection schematic for Input = 100V and Output = 120V

Input - Parallel connection

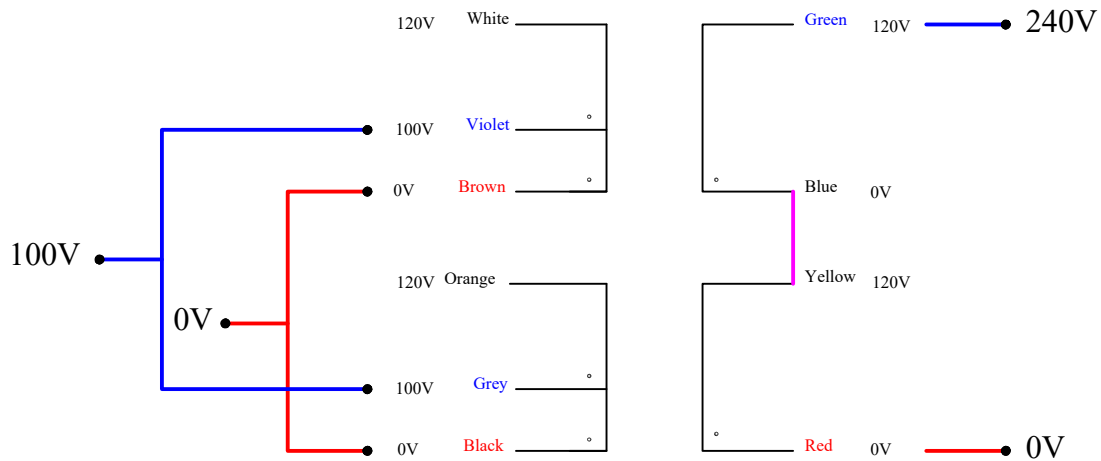
Output - Parallel connection



## 2. Connection schematic for Input = 100V and Output = 240V

Input - Parallel connection

Output - Series connection

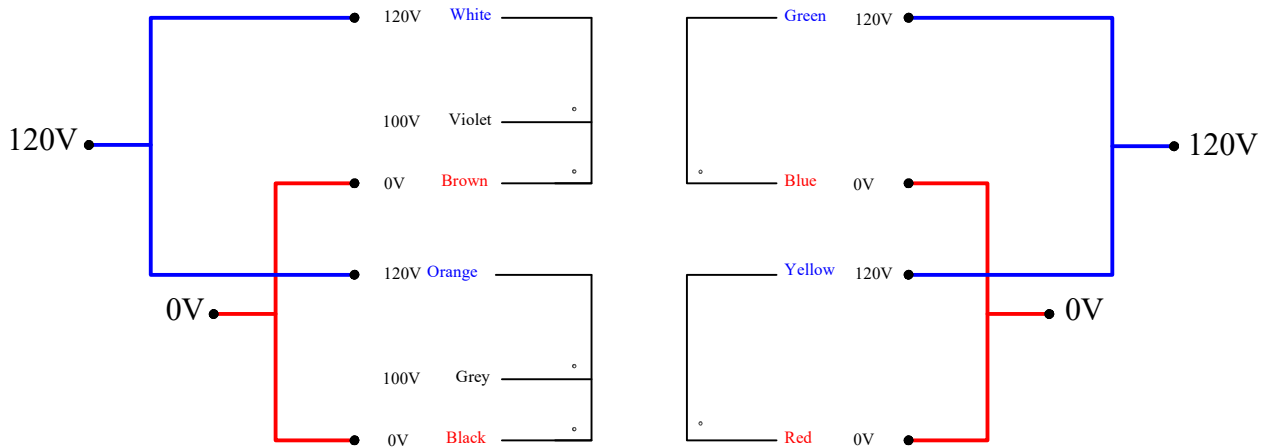




### 3. Connection schematic for Input = 120V and Output = 120V

Input - Parallel connection

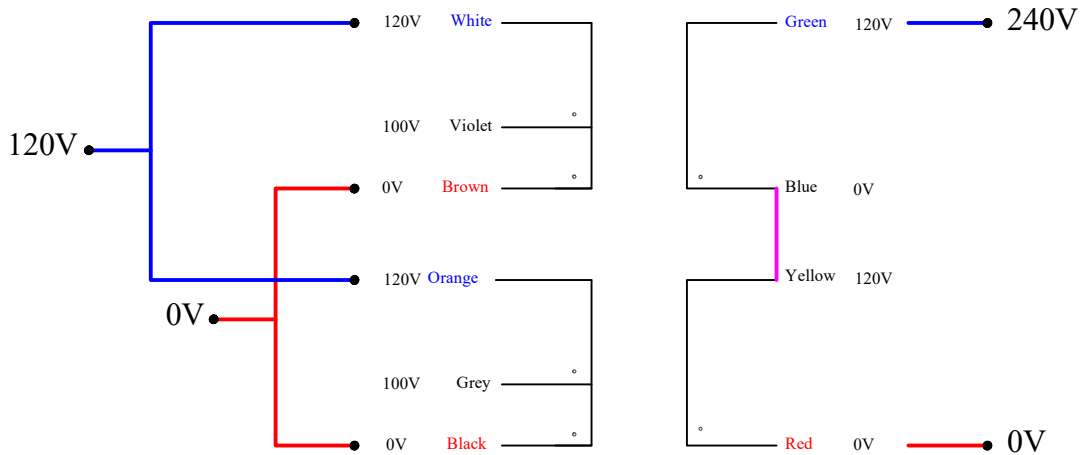
Output - Parallel connection



### 4. Connection schematic for Input = 120V and Output = 240V

Input - Parallel connection

Output - Series connection

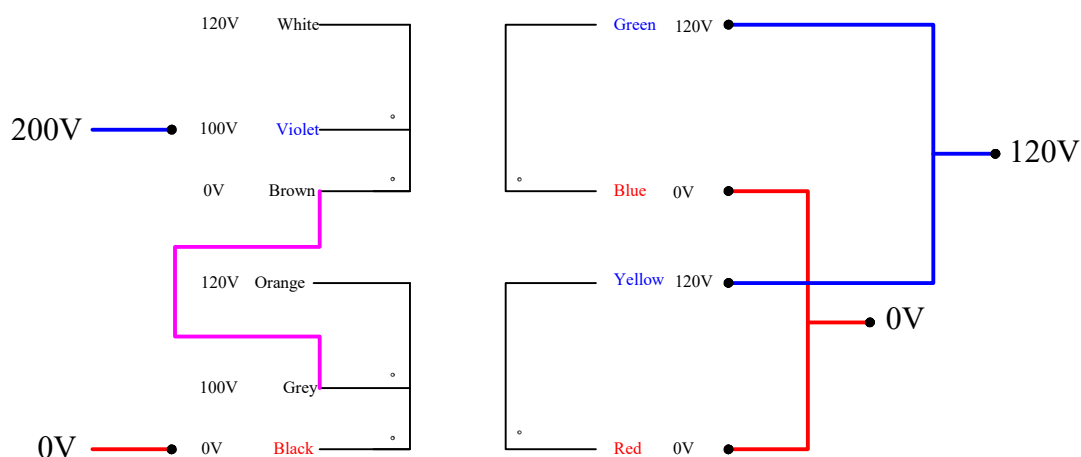




### 5. Connection schematic for Input = 200V and Output = 120V

Input - Series connection

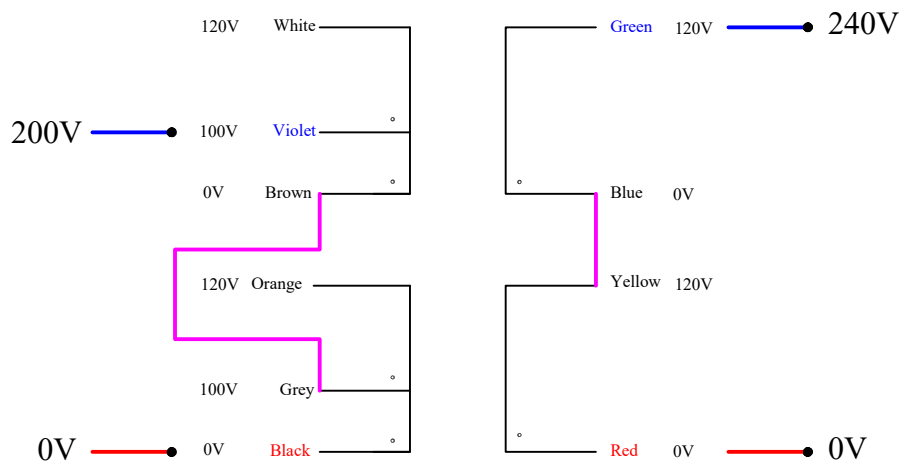
Output - Parallel connection



### 6. Connection schematic for Input = 200V and Output = 240V

Input - Series connection

Output - Series connection

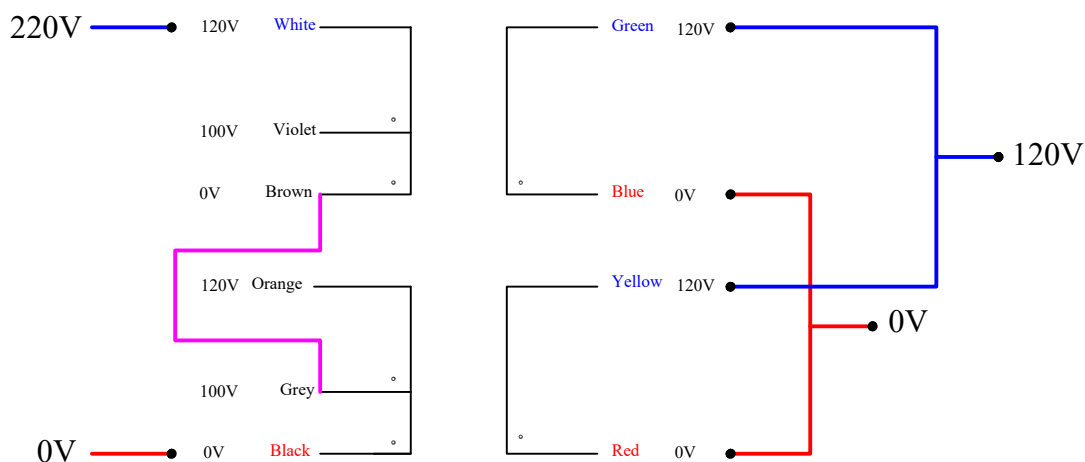




### 7. Connection schematic for Input = 220V and Output = 120V

Input - Series connection

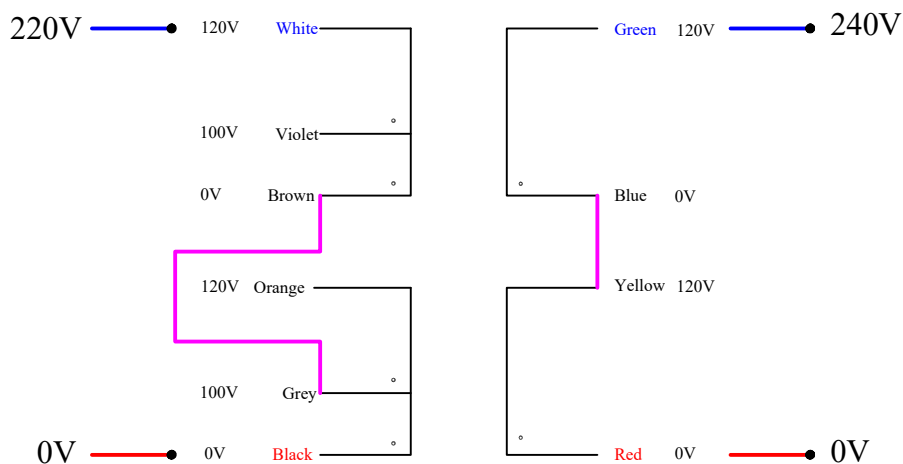
Output - Parallel connection



### 8. Connection schematic for Input = 220V and Output = 240V

Input - Series connection

Output - Series connection

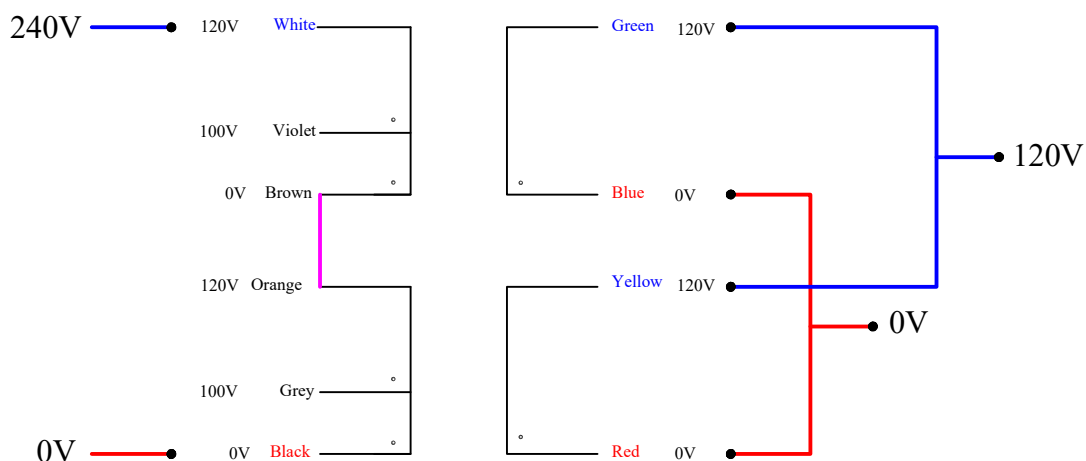




### 9. Connection schematic for Input = 240V and Output = 120V

Input - Series connection

Output - Parallel connection



### 10. Connection schematic for Input = 240V and Output = 240V

Input - Series connection

Output - Series connection

