

## Medical Grade Isolation Transformers

**MD Series** Medical grade isolation transformers are high quality open style toroidal transformers with dual primary windings suitable for 120/240V, 50/60Hz operation and 2x120V isolated secondary windings which may be connected in series or parallel or used as two independent 120V supplies.



### Features

- Power Rating 50VA to 3000VA
- Dual Primary and Dual Secondary windings
- Frequency 50-60Hz
- Isolation 5KVrms Primary - Secondary
- Creepage Distance minimum 8.0mm
- Leakage Current < 100μA
- Tolerance ±3% on Load
- Various mounting methods available
- Recognized to UL60601-1 (Agency Reference - XORU2.E251176 & XORU8.E251176)
- Inbuilt Thermal Protection
- Magnetic Shield to minimize Strayfield Emission **(Optional)**
- Class B Insulation System
- Safety requirement confirms to IEC 601-1 Class I & Class II equipment
- Manufactured in an ISO 9001:2008, ISO/TS 16949:2009 and ISO 14001:2004 certified Talema facility
- Fully RoHS & REACH Compliant

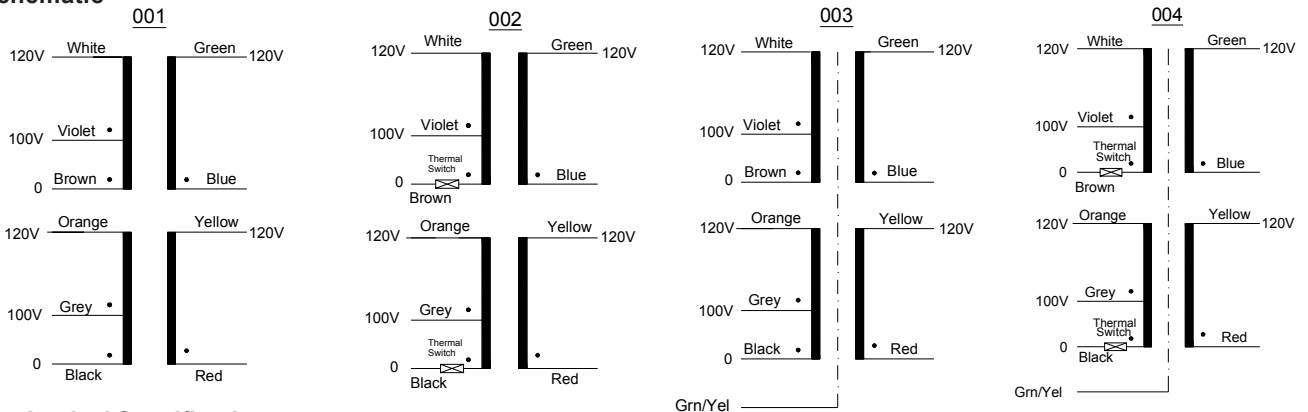


### Ratings Table

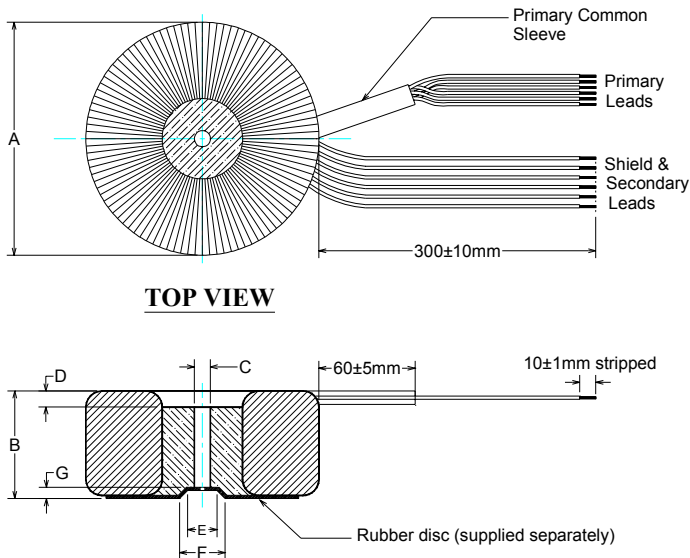
Part No.	Power	Secondary Ratings		No Load Voltage	Lead Wire Gauge		
		120VAC	240VAC		Primary	Secondary	Shield
	VA	A (rms)	A (rms)	V	UL1015		
0050MD-X-00Y	50	0.42	0.21	2x135.5	AWG #22	AWG #22	AWG #22
0100MD-X-00Y	100	0.83	0.42	2x131.9	AWG #22	AWG #22	AWG #22
0200MD-X-00Y	200	1.67	0.83	2x129.1	AWG #22	AWG #22	AWG #22
0230MD-X-00Y	230	1.92	0.96	2x128.8	AWG #22	AWG #22	AWG #22
0300MD-X-00Y	300	2.50	1.25	2x127.5	AWG #22	AWG #22	AWG #22
0350MD-X-00Y	350	2.92	1.46	2x126.7	AWG #20	AWG #20	AWG #20
0400MD-X-00Y	400	3.33	1.67	2x126.4	AWG #20	AWG #20	AWG #20
0500MD-X-00Y	500	4.17	2.08	2x125.6	AWG #18	AWG #20	AWG #18
0600MD-X-00Y	600	5.00	2.50	2x125.4	AWG #18	AWG #20	AWG #18
0650MD-X-00Y	650	5.42	2.71	2x125.2	AWG #18	AWG #18	AWG #18
0760MD-X-00Y	760	6.33	3.17	2x124.8	AWG #16	AWG #18	AWG #18
0800MD-X-00Y	800	6.67	3.33	2x124.4	AWG #16	AWG #18	AWG #18
1000MD-X-00Y	1000	8.33	4.17	2x124.6	AWG #16	AWG #16	AWG #18
1200MD-X-00Y	1200	10.00	5.00	2x123.5	AWG #16	AWG #16	AWG #18
1500MD-X-00Y	1500	12.50	6.25	2x123.4	AWG #14	AWG #16	AWG #18
1800MD-X-00Y	1800	15.00	7.50	2x123.7	AWG #14	AWG #14	AWG #18
2000MD-X-00Y	2000	16.67	8.33	2x122.8	AWG #12	AWG #12	AWG #18
2500MD-X-00Y	2500	20.83	10.42	2x123.3	AWG #12	AWG #12	AWG #18
3000MD-X-00Y	3000	25.00	12.50	2x121.9	AWG #12	AWG #12	AWG #18

# Medical Grade Isolation Transformers

## Schematic



## Mechanical Specification



## Dimensions

Part No.	Physical Dimensions **							Weight ** Kg
	A mm	B mm	C mm	D (±3.0) mm	E mm	F mm	G mm	
0050MD-X-00Y	81	38	6.35	10	16	26	4	0.8
0100MD-X-00Y	99	41	6.35	10	16	26	4	1.1
0200MD-X-00Y	117	56	6.35	10	19	35	5	2.3
0230MD-X-00Y	117	61	6.35	10	19	35	5	2.4
0300MD-X-00Y	127	62	10	10	22	44	8	2.8
0350MD-X-00Y	132	58	10	19	22	44	8	3.0
0400MD-X-00Y	132	64	10	19	22	44	8	3.4
0500MD-X-00Y	134	70	10	19	22	44	8	4.3
0600MD-X-00Y	150	70	10	19	22	44	8	4.7
0650MD-X-00Y	157	70	10	19	22	44	8	5.1
0760MD-X-00Y	160	71	10	19	22	44	8	5.9
0800MD-X-00Y	165	72	10	19	22	44	8	6.1
1000MD-X-00Y	168	80	12.7	19	22	44	8	8.2
1200MD-X-00Y	183	81	12.7	25	32	44	12	10.0
1500MD-X-00Y	200	90	12.7	25	32	44	12	11.8
1800MD-X-00Y	206	94	12.7	25	32	44	12	13.6
2000MD-X-00Y	215	105	12.7	25	32	44	12	15.5
2500MD-X-00Y	240	115	15	32	42	53	16	21.0
3000MD-X-00Y	265	120	15	32	42	53	16	26.0

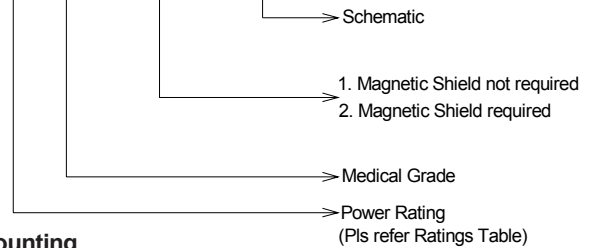
\*\* Physical Dimensions & Weight given are approximate

## Schematic - Details

Schematic	Construction	Functional Earth	Thermal Protection
001	Reinforced Insulation	No	No
002	Reinforced Insulation	No	Yes (Internal, in-line)
003	Reinforced Insulation	Yes	No
004	Reinforced Insulation	Yes	Yes (Internal, in-line)

## Ordering Code

0600 MD - 1 - 001



## Mounting

- Center-Potted through hole
- Metal Disc and Insulating pads (Optional)

**Regional Locations - Design, Manufacturing, Sales & Marketing**
**Talema Group Regional Offices**
**North America**
**United States  
(Sales & Marketing)**

**Talema Group, LLC**  
 PO Box 935  
 900 Innovation Drive  
 Suite 120, Rolla  
 Missouri 65402  
 Tel: +1 573-303-3675  
 E-Mail:  
 sales@talemagroup.com  
 Web: www.talema.com

**Asia**
**India  
(Design, Manufacturing, Sales & Marketing)**

**Administrative Office**  
**Talema Electronic India Private Limited**  
 Door No. 221, 1st and 2nd Floor  
 KJ Plaza, Opp.to Vidya Mandir School  
 Meyanur Main Road  
 Salem - 636 004 Tamil Nadu INDIA.  
 Tel: +91 427 - 243 3100  
 Fax: +91 427 - 243 3109  
 E-Mail: talema@talemaindia.net  
 Web: www.talema.com

**Factory Premises**  
**Talema Electronic India Private Limited**  
 No. 31 & 31, Electronic Industrial Estate  
 Suramangalam Post  
 Salem - 636 005 Tamil Nadu INDIA  
 Tel: +91 427 - 243 3000  
 E-Mail: talema@talemaindia.net  
 Web: www.talema.com

**Europe**
**Germany  
(Design, Sales & Marketing)**

**Talema Elektronik GmbH**  
 Sembdnerstr. 5  
 82110 Germering  
 Tel: +49 89 - 841 00 - 0  
 Fax: +49 89 - 841 00 25  
 E-Mail: info@talema.de  
 Web: www.talema.com

**Ireland  
(Design, Sales & Marketing)**

**Nuvotem TEO**  
 Units W & X, Gweedore Business Park  
 Derrybeg, Letterkenny, Co. Donegal  
 Tel: +353 (0) 74 95 48666  
 Fax: +353 (0) 74 95 48139  
 E-Mail: info@nuvotem.com  
 Web: www.nuvotem.com

**Czech Republic  
(Design, Manufacturing, Sales & Marketing)**

**NT Magnetics s.r.o.**  
 Chebská 27  
 322 00 Plzeň  
 Tel: +420 377 - 338 351  
 Fax: +420 377 - 338 350  
 E-Mail: talema@talema.cz  
 Web: www.ntmagnetics.cz

**Locations of Talema Group Regional Offices**
