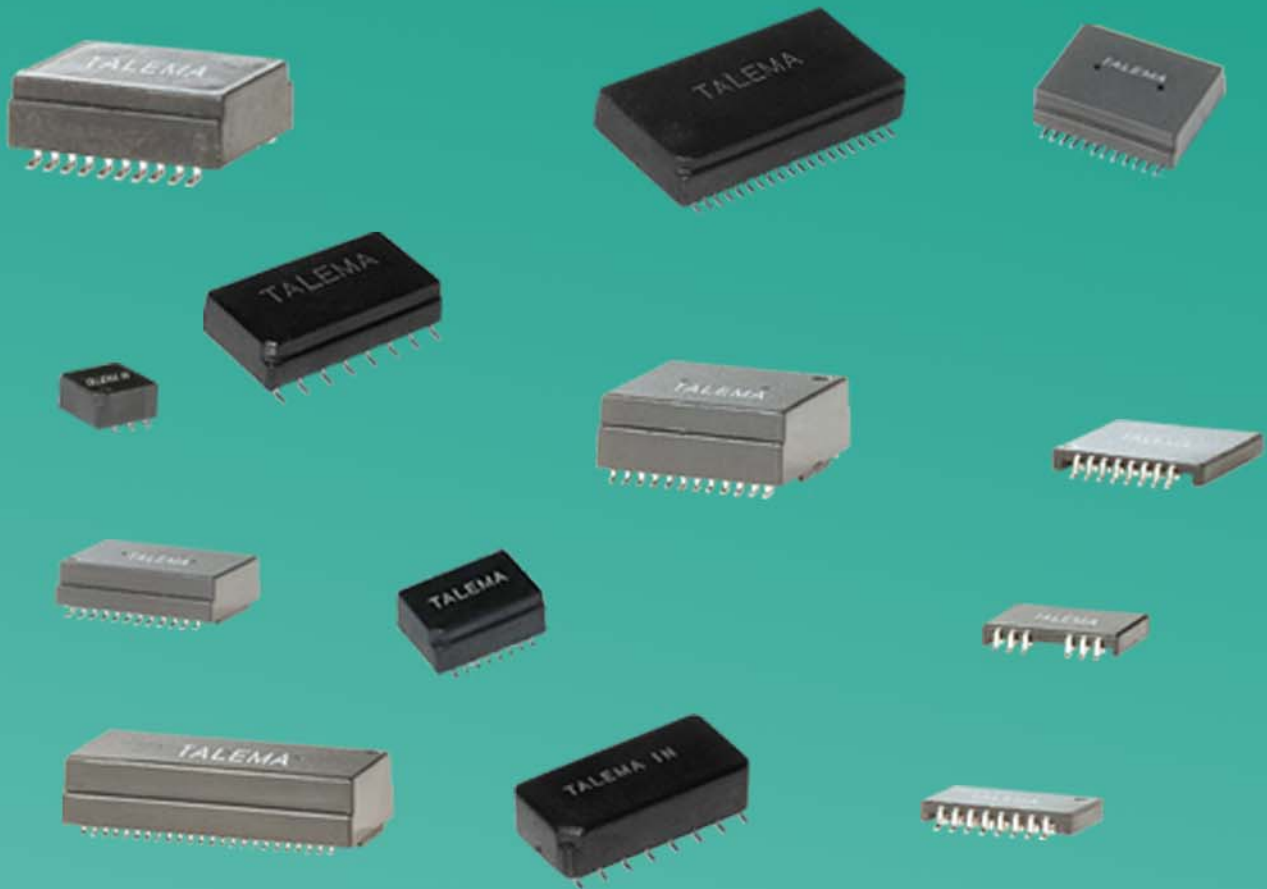




LAN Magnetic Components Interface Transformers and Chokes for



Magnetic Components for ISDN / xDSL / LAN Data Communications

TALEMA PROFILE

Founded in 1975, The TALEMA International Group has established itself as a world leader in the Design & Manufacture of toroidal transformers and related magnetic components. Our strong technical engineering expertise has contributed to the growth of our current workforce to over 800 employees in manufacturing locations in the Czech Republic and India.

Over the years The Talema Group has succeeded in designing, producing and delivering in excess of 50 million transformers to its customers. The recent incorporation of xDSL technology into our extensive range of Telecom and LAN magnetics offerings, such as ISDN, Ethernet transformers for 10/100/1000Base-T, has broadened our market offering to an even higher level.

QUALITY

The TALEMA Group has a total commitment to quality and employs Lean Six Sigma training for engineering, production and administrative staff to help achieve a goal of zero defects. All facilities maintain very stringent Quality Control and Quality Assurance procedures and are certified to and manufacture in accordance with ISO 9001:2015 (India) and ISO 9001:2016 (Czech Republic) and meet a broad range of International Standards including UL, VDE, IEC and EN.

ENVIRONMENT

All TALEMA International Group manufacturing facilities are RoHS & REACH Compliant and all chokes, inductors and HF Components are produced in an Environment Management System (EMS) facility certified to ISO 14001:2015 (India) and ISO 14001:2016 (Czech Republic).



CONTENTS

Page Nr.

10 BASE-T

- IC Selection Guide for 10Base-T Isolation Transformer Modules - 3
- TMM & TMCM Series - Interface Transformers - 16 Pin SMD & SoIC - 4-5

10/100 BASE-T

- IC Selection Guide for LAN, Fast Ethernet, 10/100Base-T, ATM Transformer Modules - 6-7
- TEM Series - Single Port Interface Transformer Modules - 16 pin SMD & SoIC - 8-10

TAPE & REEL PACKING AND DIMENSIONS

- 11-12

REGIONAL LOCATIONS - DESIGN, MANUFACTURING, SALES & MARKETING

- 13

TALEMA PRODUCT SUMMARY (TOTAL PROGRAM)

- 14

Visit our websites for detailed electrical and mechanical specifications for Talema's extensive line of magnetic components for Power Conversion, Toroidal Transformers & Telecom Applications:

www.talema.com
 www.nuvotem.com
 www.ntmagnetics.cz

IC Selection Guide for 10Base-T Isolation Transformer Modules

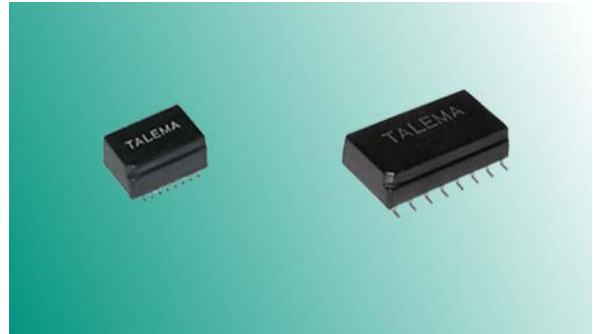
Talema manufactures a broad range of Isolation Transformer Modules for 10Base-T, 100Base-T, 1000Base-T, AUI and ATM applications. Many of the modules include a common mode choke for noise attenuation matched to the specified transceiver and are designed for extended temperature range (-40°C to +85°C) applications. All parts are fully RoHS & REACH Compliant and manufactured in an ISO 9001:2015 and ISO 14001:2015 certified Talema facility.

IC Manufacturer	IC Part Number	Turns Ratio		Talema Part Number
		Transmit	Receive	Miniature Single Port 12.8x9.6x6.0
AMD	AM79C984 AM79C985 AM79C988 AM79C989	1ct:1ct	1ct:1ct	TMM-100A1-J TMCM-100A1-J TMCM-200A1-J
Cirrus Logic (Crystal)	CS8900A-CQ/IQ, CS8904-CM5 CS8920	1ct:1.414ct	1ct:1ct	TMCM-200A2-J TMCM-140A2-J TMM-140A2-J
	CS8900A-CQ3/IQ3 CS8904-CM3	1ct:2.5ct	1:1	TMM-200A4-J TMCM-200A4-J
Fujitsu	MB86951 MB86961 MB86964 MB86965B	1ct:1.414ct	1ct:1ct	TMCM-200A2-J TMCM-110B2-J TMM-140A2-J
Intel (Level One)	LXT901, LXT901A LXT907, 914, 915 LXT916, 917, 944	1ct:1.414ct	1ct:1ct	TMCM-200A2-J TMCM-110B2-J TMM-140A2-J
	LXT905 LXT908	1ct : 2ct	1ct:1ct	TMCM-140A3-J TMCM-120A3-J
µLinear	ML2652, ML2653 ML4652, ML4658	2ct:1ct	1ct:1ct	TMCM-140A6-J TMM-100A6-J
National Semi-conductor	DP83953 DP83907 DP83924A	1ct:2ct	1ct:1ct	TMCM-140A3-J TMCM-120A3-J TMCM-200A5-J
Realtek	RTL8301 80C24	2ct:1ct	1ct:1ct	TMCM-140A6-J TMM-100A6-J
Texas Instruments	TNETE100A	1ct:1.414ct	1ct:1ct	TMCM-200A2-J TMCM-110B2-J TMM-140A2-J TMCM-140A2-J
	TNETE2004	1ct:1.414ct	1ct:1ct	TMCM-200A2-J TMCM-110B2-J TMM-140A2-J
	TNETE2008	1ct:1ct	1:1	TMM-100A1-J TMCM-100A1-J TMCM-200A1-J

TMM Series • 10 Base-T Single Port SMD Transformer Modules

Features

- Low profile and light weight 10 Base-T modules facilitate pick and place compatability and speed of placement
- Meets requirements of IEEE 802.3
- Consistent and reliable coplanarity
- Excellent quality at extremely competitive price due to high volume production
- Manufactured in an ISO 9001:2015 and ISO 14001:2015 certified Talema facility
- Fully RoHS & REACH Compliant and meets lead free reflow level J-STD-020C



Electrical Specifications @ 25°C

Minimum isolation voltage: 1500 Vrms
 Operating Temperature Range: -40°C to +85°C
 Storage Temperature: -40°C to +125°C

Test Frequency:

Inductance, Interwinding Capacitance and Leakage Inductance measured @ 100KHz/20mV

Quality and consistency are guaranteed through 100% testing of the specified parameters for primary inductance, leakage inductance, turns ratio, DC resistance and interwinding capacitance. This ensures that the return loss and pulse wave shape requirements can be fully maintained. Additionally, all parts are tested for 1500V minimum isolation.

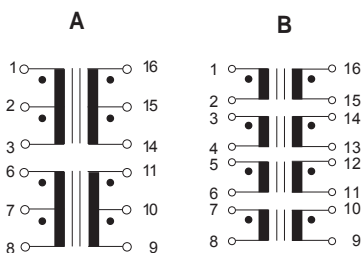
Applications:

Talema 10Base-T transformer modules contain transmit and receive isolation transformers to maintain consistent wave shape and suppression of common mode noise while providing equipment isolation per IEEE 802.3. High impedance common mode quad chokes for additional EMI suppression have been added on some models as required for FCC and CISPR 22 Class B certification.

TMM Series • 10 Base-T Single Port SMD Transformer Modules

Part Number	Turns Ratio ±5%		Pri. OCL (µH Min)	L _L (µH Max) Pri / Sec	C _{WW} (pF Max) Pri / Sec	DCR (Ohms Max.)				V _P (Vrms)	Schematic
	1-3:16-14	6-8:11-9				1-3	16-14	6-8	11-9		
	Pri. Winding:Sec. Winding					Pri. Windings		Sec. Windings			
TMM-100A1-J	1ct:1ct	1ct:1ct	100	0.25	9	0.30	0.30	0.30	0.30	1500	A
TMM-100A6-J	2ct:1ct	1ct:1ct	100	0.25	12	0.60	0.30	0.30	0.30	1500	A
TMM-112A3-J	1ct:1ct	1ct:2ct	112	0.30	8	0.30	0.30	0.30	0.60	1500	A
TMM-140A2-J	1ct:1ct	1ct:1.414ct	140	0.20	12	0.30	0.30	0.30	0.45	1500	A
TMM-140A3-J	1ct:1ct	1ct:2ct	140/25	0.30	12	0.30	0.30	0.30	0.45	1500	A
TMM-150A6-J	2ct:1ct	1ct:1ct	150	0.20	12	0.60	0.30	0.30	0.30	1500	A
TMM-200A1-J	1ct:1ct	1ct:1ct	200	0.20	10	0.30	0.30	0.30	0.30	1500	A
TMM-200A2-J	1ct:1ct	1ct:1.414ct	200	0.50	15	0.30	0.30	0.30	0.45	1500	A
TMM-200A4-J	1ct:1ct	1ct:2.5ct	200/35	0.40	15	0.30	0.30	0.30	0.80	1500	A
TMM-200A5-J	1ct:2ct	1ct:1ct	50/200	0.20	12	0.30	0.60	0.30	0.30	1500	A
TMM-140B1-J	1:1 (4x)		140	0.20	12	0.30		0.30		1500	B
TMM-140B2-J	1:1.41(4x)					0.41		0.60			

Schematics without Choke



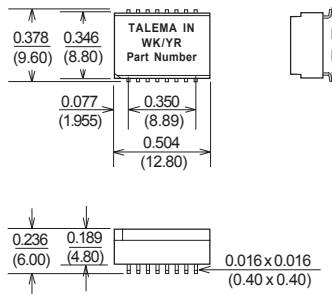
See next page for electrical specifications for modules with common mode chokes for EMI noise suppression and for dimensions and **schematics with choke**.

TMCM Series • 10 Base-T Transformers with Common Mode Choke for EMI Suppression

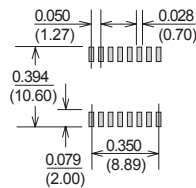
Part Number	Turns Ratio ±5%		Pri. OCL (μH Min)	L_L (μH Max) Pri / Sec	C_{WW} (pF Max) Pri / Sec	DCR (Ohms Max.)				V_P (Vrms)	Schematic
	1-3:16-14	6-8:11-9				1-3	16-14	6-8	11-9		
TMCM-100A1-J	1ct:1ct	1ct:1ct	100	0.30	8	0.30	0.30	0.30	0.30	1500	A
TMCM-110B2-J	1ct:1ct	1ct:1.414ct	110	0.40	15	0.30	0.30	0.30	0.90	1500	B
TMCM-112B3-J	1ct:1ct	1ct:2ct	112	0.30	8	0.40	0.40	0.40	1.10	1500	B
TMCM-120A3-J	1ct:1ct	1ct:2ct	120/20	0.40	9	0.90	0.90	0.90	0.90	1500	A
TMCM-140A2-J	1ct:1ct	1ct:1.414ct	140	0.40	20	0.40	0.40	0.40	0.40	1500	A
TMCM-140A3-J	1ct:1ct	1ct:2ct	140	0.2	12	0.30	0.30	0.30	0.90	1500	A
TMCM-140A6-J	2ct:1ct	1ct:1ct	140	0.3	12	0.60	0.30	0.30	0.30	1500	A
TMCM-150A6-J	2ct:1ct	1ct:1ct	150	0.90	10	0.70	0.35	0.35	0.35	1500	A
TMCM-200A1-J	1ct:1ct	1ct:1ct	200	0.25	10	0.30	0.30	0.30	0.30	1500	A
TMCM-200A2-J	1ct:1ct	1ct:1.414ct	200	0.5	12	0.30	0.30	0.30	0.75	1500	A
TMCM-200A4-J	1ct:1ct	1ct:1.25ct	200	0.5	15	0.30	0.30	0.30	1.05	1500	A
TMCM-200A5-J	1ct:2ct	1ct:1ct	200	0.3	8	0.30	0.90	0.30	0.30	1500	A
TMCM-350A4-J	1ct:1ct	1ct:2.5ct	350	0.8	30	0.30	0.30	0.30	1.05	1500	A

Dimensions

Miniature Module - TMM & TMCM



Suggested Pad Layout



Dimensions: Inches (Millimeters)
 Tolerance: ± 0.010 (0.25) unless specified otherwise
 Surface coplanarity will be 0.004 (0.01) maximum

Packing Method: Tape & Reel; Qty/Reel: 600Pcs

Schematics with Choke



IC Selection Guide for 10/100 Base-T Isolation Transformer Modules

IC Manufacturer	IC Part Number	Turns Ratio		Talema part Number	
		Transmit	Receive	Miniature Single Port 12.8 x 9.6 x 6.0	
ADMtek	LET406	1ct:1ct	1ct:1ct	TEM-300A-J	
	ADM9511, ADM9513, AN983, AN985	1ct:1ct	1ct:1ct	TEM-300D-J	
AMD	AM79C874	1ct:1ct	1ct:1ct	TEM-300A-J TEM-300K-J	
	am79c874(NetPHY-1LP)	1.25ct:1ct	1:1	TEM-302D-J	
	AM79C971 (PCnet-Fast)	1ct:1ct	1:1	TEM-300A-J	
	AM79C973 (PCnet-FAST III)	1ct:1.41ct	1ct:1ct	TEM-300B-J	
	AM79C976, AM79C977	1ct:1ct	1ct:1ct	TEM-300A-J	
Broadcom	BCM5201, BCM5220, BCM5221, BCM5222, BCM5912(Dual)	1ct:1ct	1ct:1ct	TEM-300A-J TEM-300D-J	
Broadcom (Altima)	AH101	1ct:1ct	1ct:1ct	TEM-300A-J	
Broadcom (Davicom)	DM9101, DM9102, DM9111, DM9131, DM9161, DM9181, DM9301, DM9601	1ct:1ct	1ct:1ct	TEM-300A-J TEM-300H-J	
Cirrus Logic (Crystyl)	CS8952	1ct:1ct	1ct:1ct	TEM-300A-J	
ICS	ICS1890, ICS1891 ICS1892, ICS1893	1ct:1ct	1ct:1ct	TEM-300H-J TEM-300D-J	
Intel	S82555, S82558 S82559, S82562	1ct:1ct	1ct:1ct	TEM-300A-J	
Intel (Level One)	LXT970A, LXT971, LXT972, LXT973, LXT9761, LXT9762, LXT9781(Hex/Octal RMI), LXT9782(Hex/Octal SMII)	1ct:1ct	1ct:1ct	TEM-300A-J TEM-300D-J	
SIS	SiS960	1ct:1ct	1ct:1ct	TEM-300A-J TEM-300B-J TEM-300D-J	
SMSC	LAN83C180, LAN83C183, LAN83C190	1ct:1ct	1ct:1ct	TEM-300A-J TEM-300B-J TEM-300D-J	
Sundance Technology	ST100 (100BTX PMD PHY) ST101 (Fast Ethernet Media Converter)	1ct:1ct	1ct:1ct	TEM-300A-J	
TDK	TSC78Q2120	1ct:1ct	1ct:1ct	TEM-300A-J	
Texas Instruments	TNETE2101, TNETE2104	1ct:1ct	1ct:1ct	TEM-300A-J TEM-300D-J	
ATM Network Interface Transformer Modules					
National	155 ATM	83223	1ct:1ct	1ct:1ct	TEM-300H-J
µLinear		ML6674	1ct:1ct	1ct:1ct	TEM-300A-J
PMC Sierra		PM5350	1ct:1ct	1ct:1ct	TEM-300H-J TEM-300A-J

IC Selection Guide for 10/100 Base-T Isolation Transformer Modules

IC Manufacturer	IC Part Number	Turns Ratio		Talema part Number
		Transmit	Receive	Miniature Single Port 12.8 x 9.6 x 6.0
Kendin	KS8728 (2.5V Octal PHY) KS8735 (3.3V Quad HUB) KS8737 (3.3V PHY MII) KS8761 (5V PHY) KS8995 (2.5V, Port Switch)	1ct:1ct	1ct:1ct	TEM-300A-J TEM-300D-J TEM-300H-J
	KS8995E	1ct:1ct	1ct:1ct	TEM-300D-J
Lucent (Enable)	LUC3X04, LUCWX14, LUC3X24, LUC3X51	1ct:1ct	1ct:1ct	TEM-300A-J
	LU6612, T8301 (5V), T8302 (3.3V) - VoIP	1ct:1ct	1ct:1ct	TEM-300A-J
	LU3X31FT-J80, LU3X31FT-TE80, LU3X31T-T64, LU3X32FT-SE128, LU3X34FT-J160, LU3X36FTR (Hex)	1ct:1ct	1ct:1ct	TEM-300A-J
Macronix	MX715	1ct:1ct	1ct:1ct	TEM-300A-J TEM-300B-J
Marvell	88E3061, 88E3081, 88E6050	1ct:1ct	1ct:1ct	TEM-300D-J
	88E6051, 88E6052	1ct:1ct	1ct:1ct	TEM-300D-J
MicroLinear	ML6651	1ct:1ct	1ct:1ct	TEM-300H-J
	ML6673	1ct:1ct	1ct:1ct	TEM-300H-J
	ML6692, ML6694	2ct:1ct	1:1:1ct	TEM-304G-J
	ML6697, ML6698	2ct:1		TEM-304J-J
Mitel (Plessy)	NWK937, NWK939, NWK954	1ct:1ct	1ct:1ct	TEM-300A-J
Myson	MTD971	1ct:1ct	1ct:1ct	TEM-300A-J TEM-300B-J
Mysticom	MystiPHY110	1ct:1ct	1ct:1ct	TEM-300B-J TEM-300D-J
National Semiconductor	DP83843(Phyter), DP83815 (MacPhyter), DP83846A (DsPhyter)	1ct:1ct	1ct:1ct	TEM-300A-J
Realtek	RTL8139, RTL8201	1ct:1ct	1ct:1ct	TEM-300A-J
	RTL8139B	1ct:1ct	1ct:1ct	TEM-300A-J TEM-300B-J
	RTL8139C (3.3 V)	1ct:1ct	1ct:1ct	TEM-300B-J
	RTL8305S, RTL8100B	1ct:1ct	1ct:1ct	TEM-300A-J
	RTL8150	1ct:1ct	1ct:1ct	TEM-300D-J
LSI (SEEQ)	80220, 80221	2ct:1 2ct:1ct	1ct:1ct	TEM-304F-J TEM-304D-J
	80223, 80225	1ct:1ct	1ct:1ct	TEM-300B-J TEM-300D-J

TEM Series • 10/100 Base-T Single Port Transformer Modules

Features

- Low profile and light weight 10/100 BaseT modules facilitate pick and place compatability and speed of placement
- Meets requirements of IEEE 802.3u and ANSIX3.263
- Consistent and reliable coplanarity
- Excellent quality at extremely competitive price due to high volume production
- Manufactured in an ISO 9001:2015 and ISO 14001:2015 certified Talema facility
- Fully RoHS & REACH Compliant and meets Lead free reflow level J-STD-020C



Minimum isolation voltage: 1500 Vrms
 Operating Temperature Range: -40°C to +85°C
 Storage Temperature: -40°C to +125°C

Electrical Specifications @ 25°C

Inductance: 350µH minimum @ 100KHz/100mV, 8mA

Leakage Inductance: 0.4µH @ 1MHz

C_{ww}: 15pF typical

Quality and consistency is guaranteed through 100% testing of the specified parameters for primary inductance, leakage inductance, turns ratio, DC resistance and interwinding capacitance. This ensures that the return loss and pulse wave shape requirements can be fully maintained. Additionally, all parts are tested for 1500V minimum isolation.

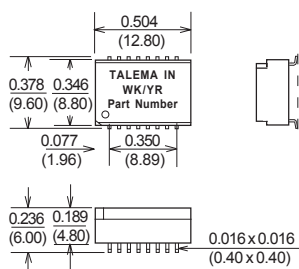
Applications:

Talema 10/100Base-T transformer modules contain transmit and receive isolation transformers to maintain consistent wave shape and suppression of common mode noise while providing equipment isolation per IEEE 802.3. High impedance common mode quad chokes for additional EMI suppression have been added on some models as required for FCC and CISPR 22 Class B certification.

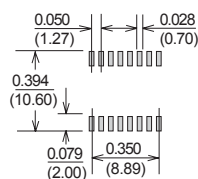
TEM Series - 10/100Base-T Single Port Isolation Transformer Modules

Part Number	Turns Ratio (Pri:Sec)		Insertion Loss (dB Max)	Return Loss (dB Min @ 100 Ohm)				Differential to Common Mode Rejection (dB Min)			Crosstalk (dB Typ)			Schematic
	Tx	Rx		0.1 - 100MHz	1-30MHz	40MHz	60MHz	80MHz	30MHz	60MHz	100MHz	30MHz	60MHz	
TEM-300A-J	1ct:1ct	1ct:1ct	-1.0	-20	-20	-18	-14	-42	-36	-33	-50	-40	-40	A
TEM-300B-J & B1-J	1ct:1ct	1ct:1ct	-1.0	-22	-20	-18	-12	-42	-38	-32	-50	-40	-40	B
TEM-300D-J	1ct:1ct	1ct:1ct	-1.0	-22	-20	-18	-12	-45	-40	-35	-50	-40	-40	D
TEM-304D-J	2ct:1ct	1ct:1ct	-1.1	-20	-20	-14	-11.5	-42	-37	-33	-45	-40	-35	D
TEM-305D-J	1.89ct:1ct	1ct:1ct	-1.1	-18	-16	-14	-12	-30	-30	-30	-35	-35	-35	D
TEM-300E-J	1ct:1ct	1ct:1ct	-1.0	-18	-16	-14	-12	-42	-37	-32	-45	-40	-35	E
TEM-304F-J	2ct:1	1ct:1ct	-1.0	-16	-16	-16	-12	-35	-35	-32	-40	-40	-35	F
TEM-304G-J	2ct:1ct	1:1:1ct	-1.0	-16	-16	-16	-12	-35	-35	-32	-40	-40	-35	G
TEM-300H-J & H1-J	1ct:1ct	1ct:1ct	-1.0	-20	-18	-18	-14	-45	-40	-35	-45	-40	-35	H
TEM-304J-J	2ct:1	1:1:1ct	-1.0	-16	-16	-16	-12	-35	-35	-32	-40	-40	-35	J
TEM-300K-J & K1-J	1ct:1	1ct:1ct	-1.0	-16	-13.4	-11.5	-10	-45	-40	-35	-40	-38	-35	K
TEM-300L-J	1ct:1ct	1ct:1ct	-0.9	-18	-14	-12	-11	-40	-35	-30	-45	-45	-37	L
TEM-300M-J	1ct:1ct	1ct:1ct	-1.0	-20	-17	-17	-14	-40	-40	-40	-40	-40	-40	M
TEM-300N-J	1ct:1ct	1ct:1ct	-1.0	-20	-17	-17	-14	-40	-40	-40	-40	-40	-40	N
TEM-300P-J	1ct:1ct	1ct:1ct	-1.1	-18	-16	-14	-12	-42	-37	-35	-40	-40	-35	P

TEM Miniature Module



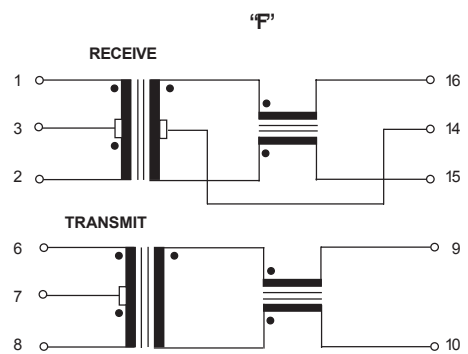
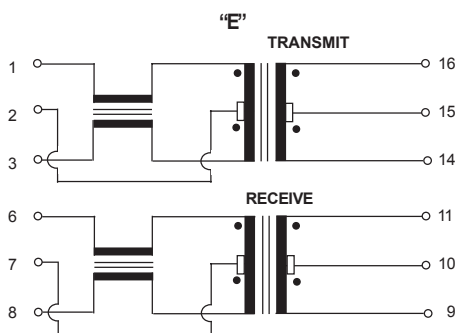
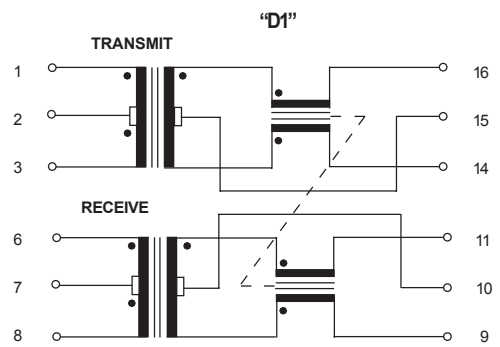
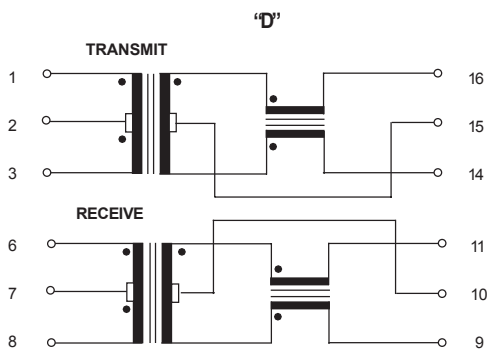
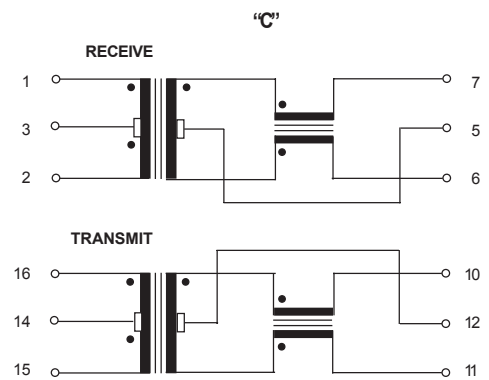
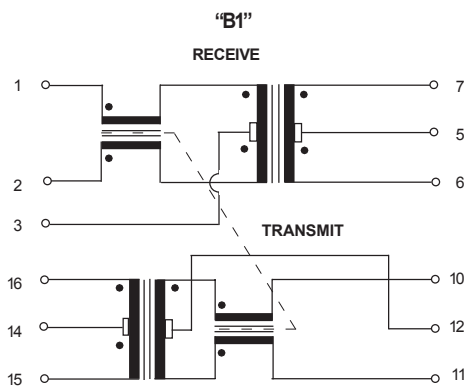
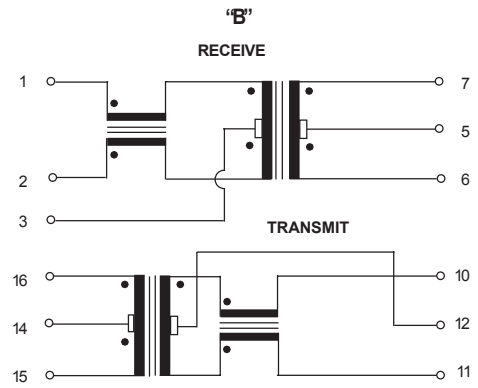
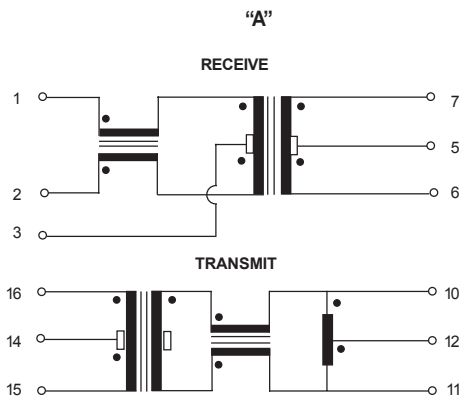
Suggested Pad layout



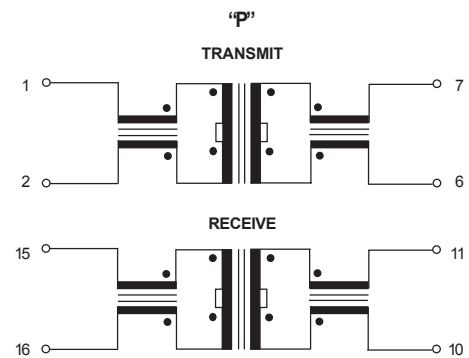
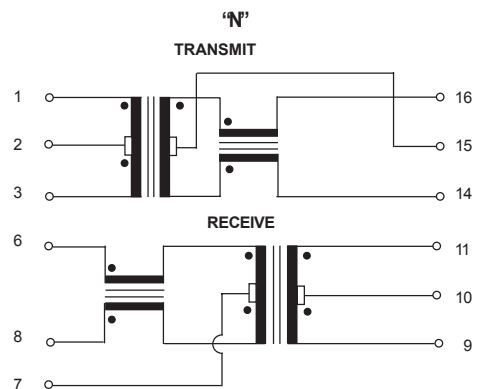
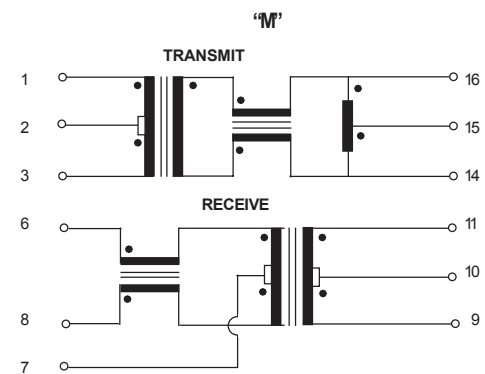
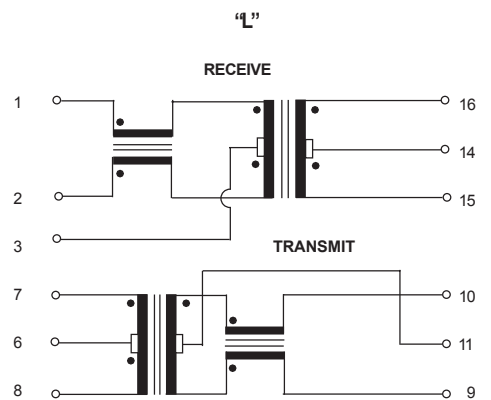
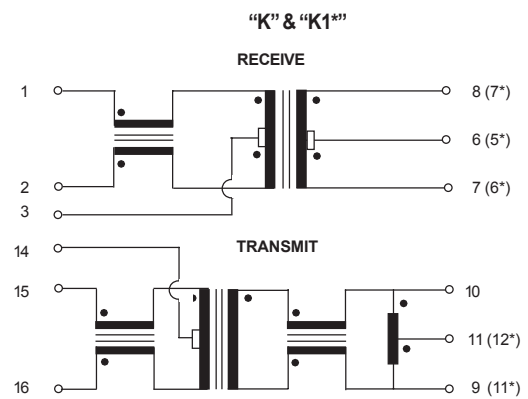
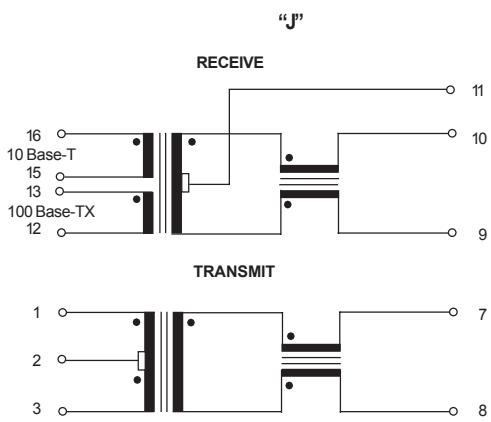
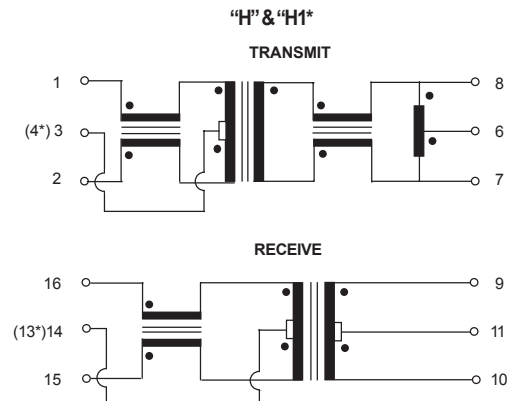
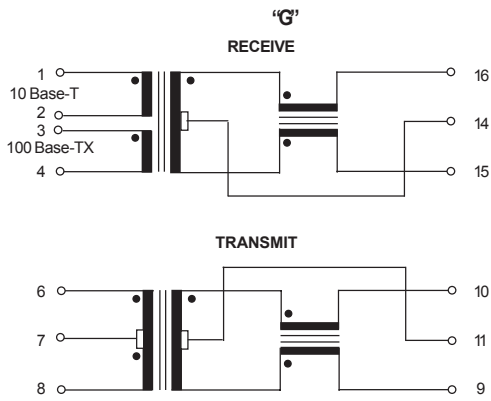
Dimensions: Inches (Millimeters)
 Tolerance: ±0.010 (0.25) unless specified otherwise
 Surface coplanarity will be 0.004 (0.01) maximum

Packing Method: Tape & Reel; Qty/Reel: 600Pcs

Schematics • TEM Series 10/100Base-T Single Port SMD Transformer Modules



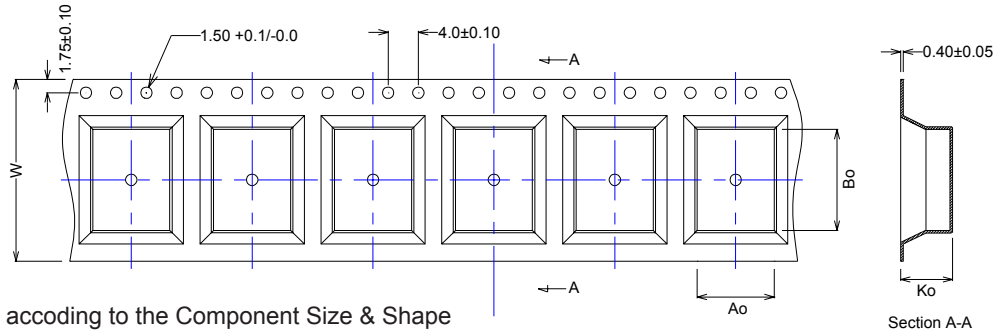
Schematics • TEM Series 10/100Base-T Single Port SMD Transformer Modules



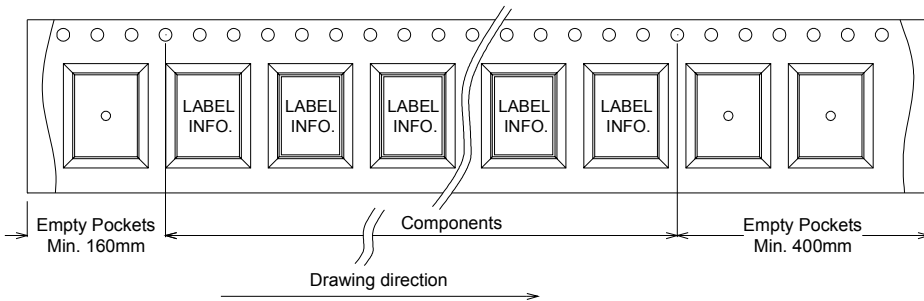
Tape & Reel Packaging and Dimensions

Carrier Tape - 1

Carrier Tape Dimensions (12.00mm, 16.00mm & 24.00mm)



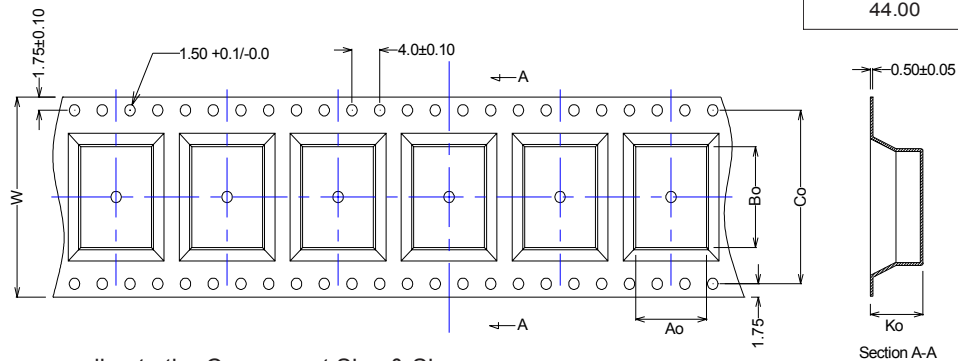
Ao , Bo & Ko - Vary according to the Component Size & Shape



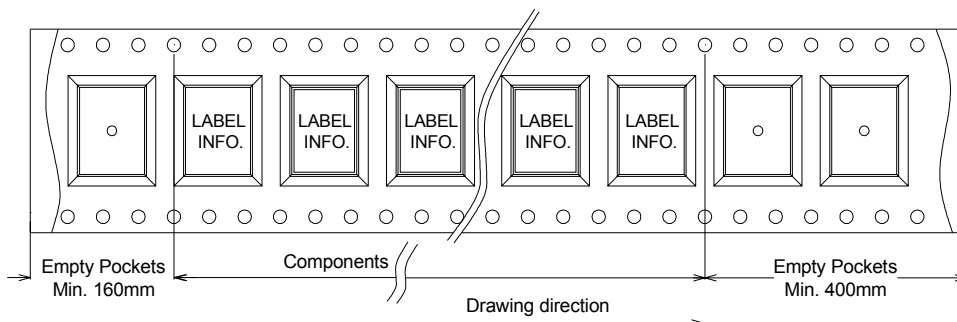
Carrier Tape - 2

Carrier Tape Dimensions (32.00mm & 44.00mm)

Carrier Tape Dimensions in mm	
Type	Pitch (Co)
32.00	28.50
44.00	40.50

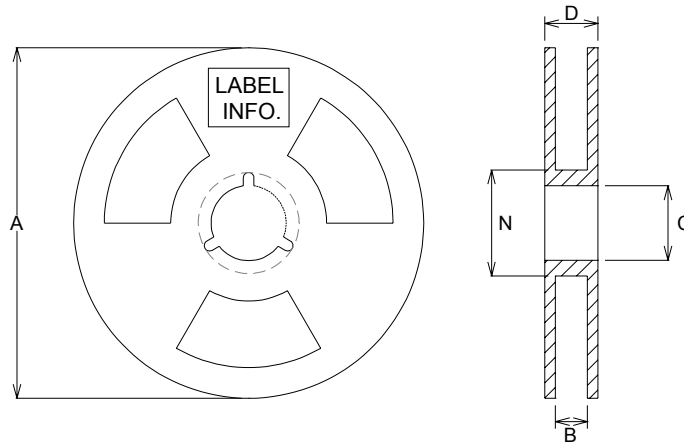


Ao , Bo , Co & Ko - Vary according to the Component Size & Shape



Tape & Reel Packaging and Dimensions

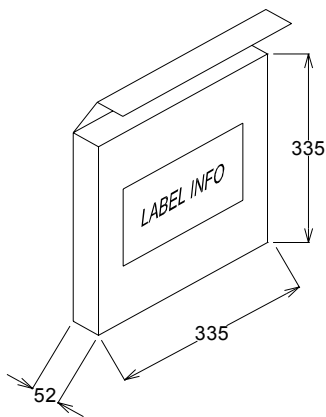
Reel Drawing



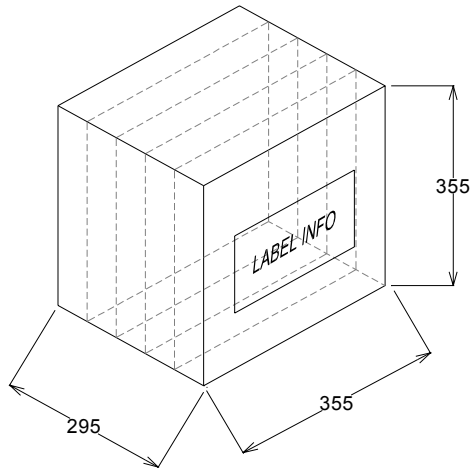
Reel Dimensions in "mm"					
Type	A	B	C	D	N
13.00mm	Ø330	13	Ø20.2	17	Ø100
16.00mm	Ø330	16	Ø20.2	20	Ø100
24.00mm	Ø330	24	Ø20.2	28	Ø100
32.00mm	Ø330	32	Ø20.2	36	Ø100
44.00mm	Ø330	44	Ø20.2	48	Ø100

Tape and Reel Dimensions				
Name of the Series	Reel Type	No. of Inside Carton	Quantity (Pcs/Reel)	Quantity (Ree/Cased)
TMM	24.00mm	5	600	5/600
TMC	24.00mm	5	600	5/600
TEM	24.00mm	5	600	5/600

Inside Carton



Outer Carton



Regional Locations - Design, Manufacturing, Sales & Marketing

Talema Group Regional Offices

North America

**United States
(Sales & Marketing)**

Talema Group, LLC
 PO Box 935
 900 Innovation Drive
 Suite 120, Rolla
 Missouri 65402
 Tel: +1 573-303-3675
 E-Mail:
sales@talemagroup.com
 Web: www.talema.com

Asia

**India
(Design, Manufacturing, Sales & Marketing)**

Administrative Office
Talema Electronic India Private Limited
 Door No. 221, 1st and 2nd Floor
 KJ Plaza, Opp.to Vidya Mandir School
 Meyanoor Main Road
 Salem - 636 004 Tamil Nadu INDIA
 Tel: +91 427 - 243 3100
 Fax: +91 427 - 243 3109
 E-Mail: talema@talemaindia.net
 Web: www.talema.com

Factory Premises
Talema Electronic India Private Limited
 Plot Nos. 30, 31 Electrical and Electronic
 Industrial Estate
 Suramangalam
 Salem - 636 005 Tamil Nadu INDIA
 Tel: +91 427 - 243 3000
 E-Mail: talema@talemaindia.net
 Web: www.talema.com

Europe

**Germany
(Design, Sales & Marketing)**

Talema Elektronik GmbH
 Sembdnerstr. 5
 82110 Germering
 Tel: +49 89 - 841 00 - 0
 Fax: +49 89 - 841 00 25
 E-Mail: info@talema.de
 Web: www.talema.com

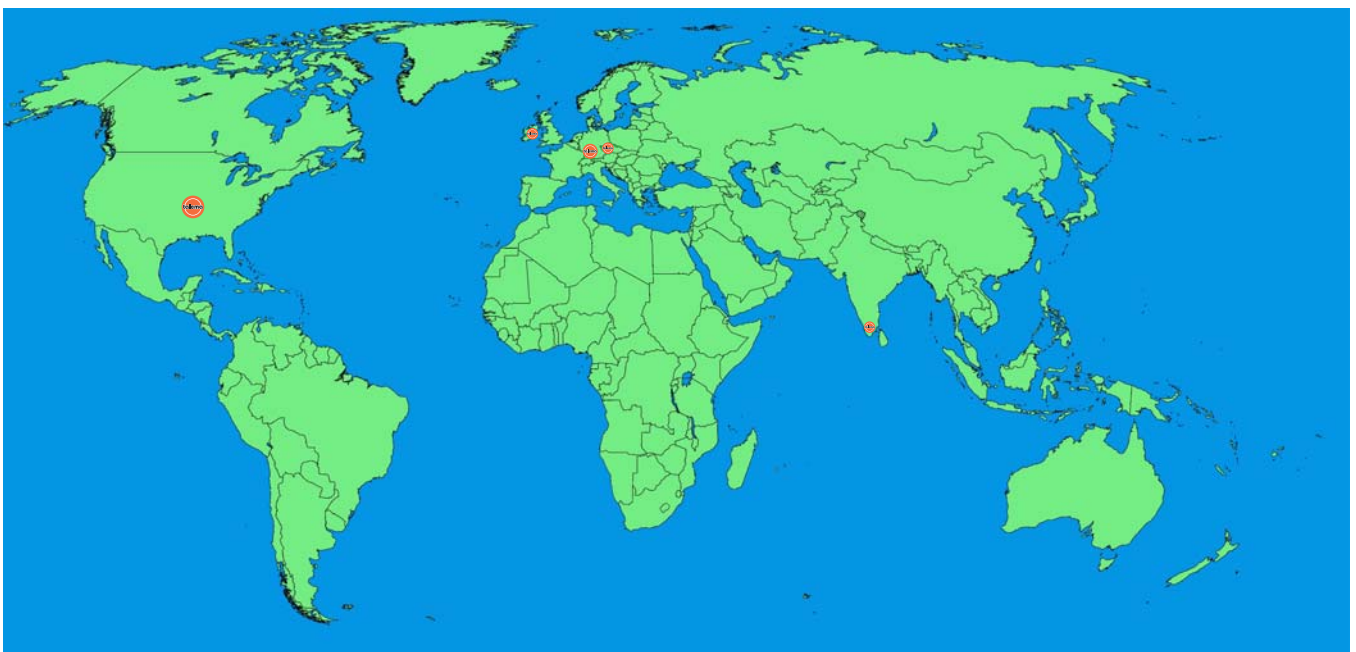
**Ireland
(Design, Sales & Marketing)**

Nuvotem TEO
 Units W & X, Gweedore Business Park
 Derrybeg, Letterkenny, Co. Donegal
 Tel: +353 (0) 74 95 48666
 Fax: +353 (0) 74 95 48139
 E-Mail: info@nuvotem.com
 Web: www.nuvotem.com

**Czech Republic
(Design, Manufacturing, Sales & Marketing)**

NT Magnetics s.r.o.
 Chebská 27
 322 00 Plzeň
 Tel: +420 377 - 338 351
 Fax: +420 377 - 338 350
 E-Mail: talema@talema.cz
 Web: www.ntmagnetics.cz

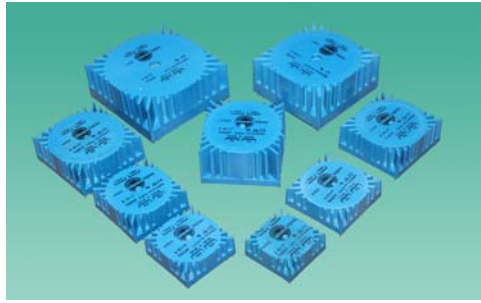
Locations of Talema Group Regional Offices



Summary TOTAL PROGRAM

SECTION 1

- TOROIDAL 50/60Hz TRANSFORMERS,
TOROIDAL PCB TRANSFORMERS &
MEDICAL GRADE ISOLATION TRANSFORMERS



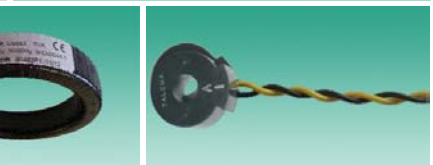
SECTION 2

- CURRENT SENSE TRANSFORMERS &
INDUCTORS



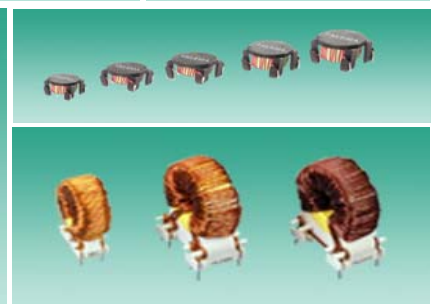
SECTION 3

- CHOKES, INDUCTORS AND TRANSFORMERS
FOR POWER APPLICATIONS



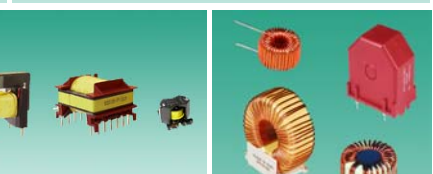
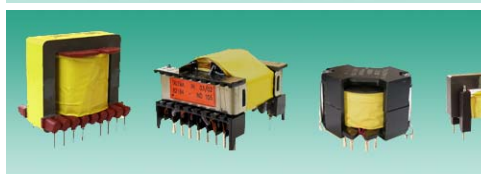
SECTION 4

- Transformers & Inductors FOR
SMPS MAGNETICS REQUIREMENTS



SECTION 5

- COMPONENTS FOR TELECOMMUNICATIONS
AND DATA LINE TECHNOLOGY



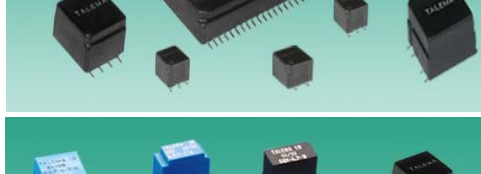
SECTION 6

- CURRENT COMPENSATED EMI NOISE
SUPPRESSION CHOKES



SECTION 7

- LAN MAGNETIC COMPONENTS FOR
ETHERNET APPLICATIONS



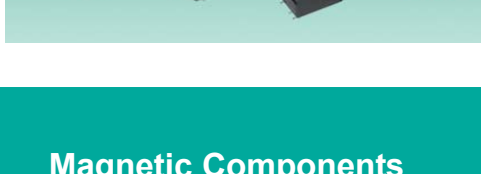
SECTION 8

- T1/E1/CEPT-PRI - T3/DS3/E3/STS-1 FOR
TELECOMMUNICATION PRODUCTS



SECTION 9

- TRANSFORMERS FOR BROADBAND ACCESS
AND FIBRE CHANNEL INTERFACE



SECTION 10

- THE TALEMA GROUP BROCHURE
OVERALL PRODUCTS - AN OVERVIEW

